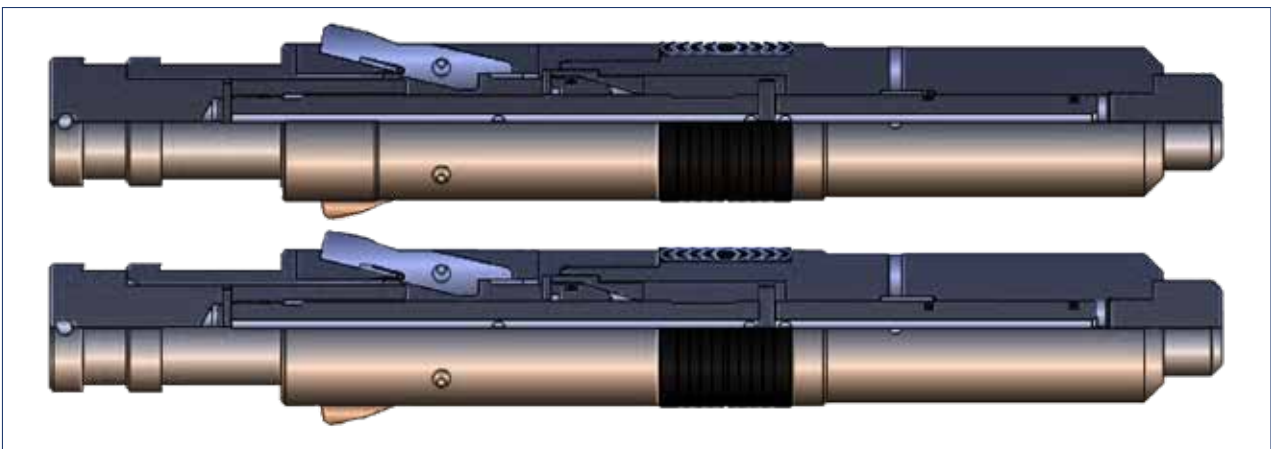


BYPASS BLANKING PLUG

SFWG & SRZG BYPASS BLANKING PLUG

The Sodel SFWG Bypass Blanking Plug is a Top NO-GO wireline retrievable tubing plug, which can be landing in the matched “SF” Landing Nipple. It is designed with a Removable Mandrel for equalizing pressures. The Removable Mandrel is held in the Bypass position by the running tool, to allow fluid Bypass when landing in the seating nipple. When the plug is locked into the desired Seating Nipple, the Removable Mandrel is shifted and locked to close the Bypass Ports. To equalize, a standard wireline pulling tool latches on to and retrieves the Removable Mandrel. After the pressures have been equalized through the Bypass Ports, the plug may be retrieved with a standard pulling tool and proper probe.



SRZG BYPASS BLANKING PLUG

The Model SRZG Bypass Blanking Plug is a Bottom NO-GO wireline retrievable plug. It can be landing in the “SR” Landing Nipple. It’s working theory and operating is same as the model “SFWG” Bypass Blanking Plug.

TUBING SIZE		PACKING SIZE		SIZE		MAX OD			
						SFWG		SRZG	
in.	mm.	in.	mm.	in.	mm.	in.	mm.	in.	mm.
1.900	48.26	1.500	38.10	1.500	38.01	1.552	39.42	1.490	37.85
2 3/8	60.33	1.781	45.24	1.781	45.24	1.865	47.37	1.771	44.98
		1.812	46.02	1.812	46.02			1.802	45.77
		1.875	47.62	1.875	47.62	1.928	48.97	1.865	47.37
2 7/8	73.03	2.250	57.15	2.250	57.15	2.302	58.47	2.240	56.90
		2.312	58.72	2.312	58.72	2.365	60.07	2.302	58.47
3 1/2	88.90	2.750	69.85	2.750	69.85	2.802	71.17	2.740	69.60
		2.812	71.42	2.812	71.42	2.865	72.77	2.802	71.17